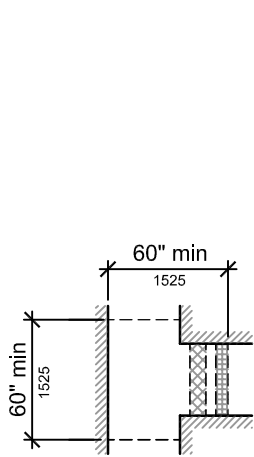
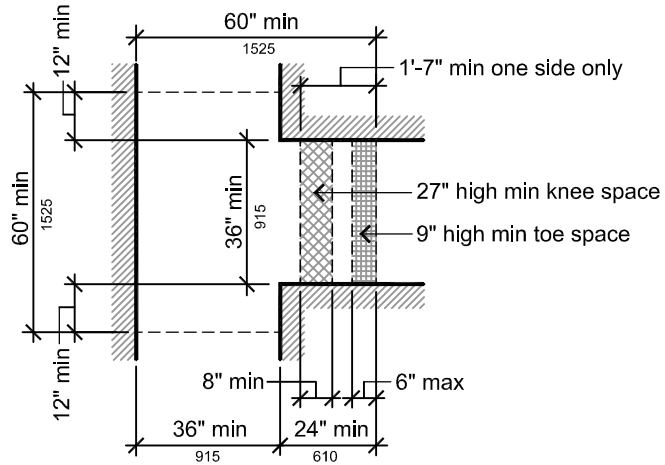


1991 / 1994 ADA Standards - Plan Review Tools - Turning Spaces

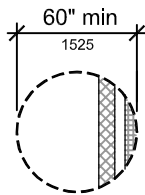


MIN. T-TURNING SPACE
1/8" = 1'-0"

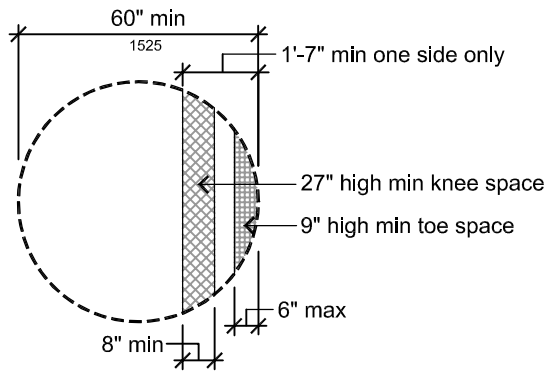


MIN. T-TURNING SPACE
1/4" = 1'-0"

NOTE: Typical for T-turning space - knee and toe space allowed only on one leg of T

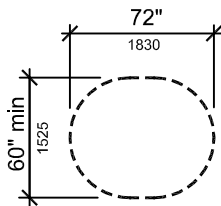


MIN. CIRCULAR TURNING SPACE
1/8" = 1'-0"

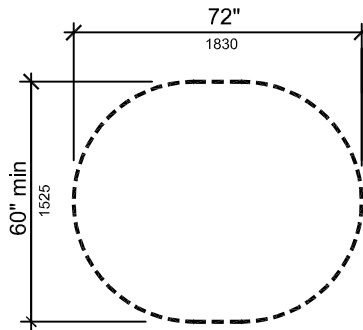


MIN. CIRCULAR TURNING SPACE
1/4" = 1'-0"

NOTE: Typical for turning circle - 19" Max one side only

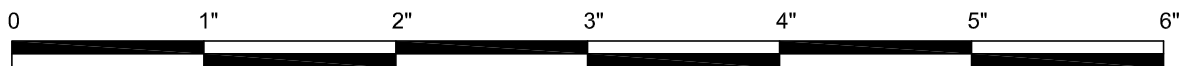


PREFERRED TURNING SPACE
1/8" = 1'-0"



PREFERRED TURNING SPACE
1/4" = 1'-0"

NOTE: some State requirements are more stringent than the ADA Standards - verify requirements in your State



Actual Size Graphic Scale